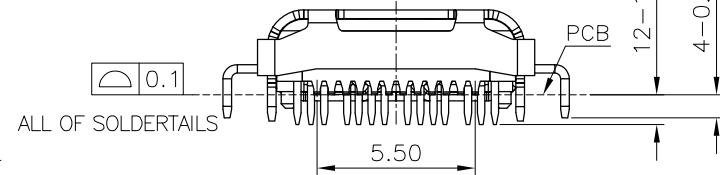
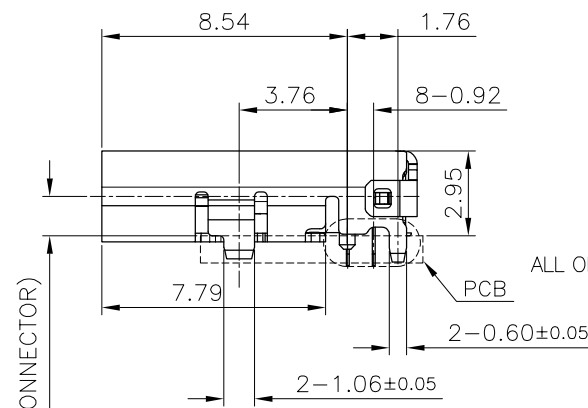
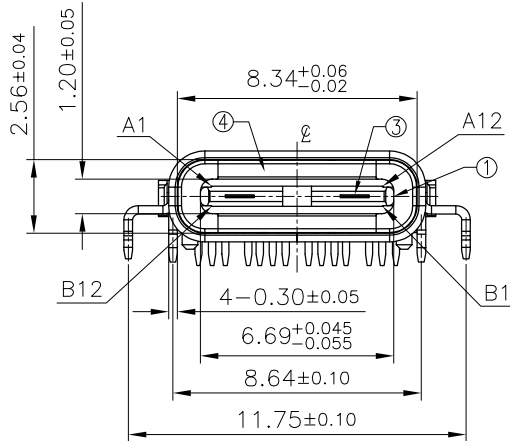
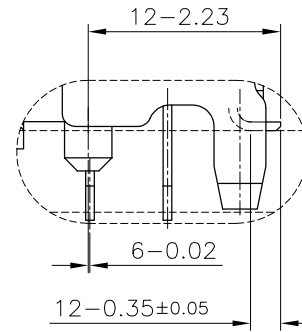
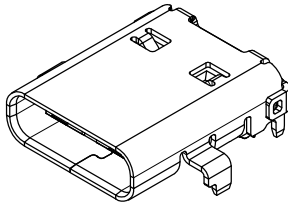
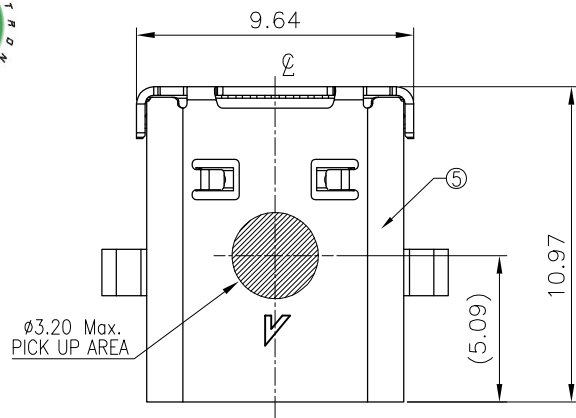


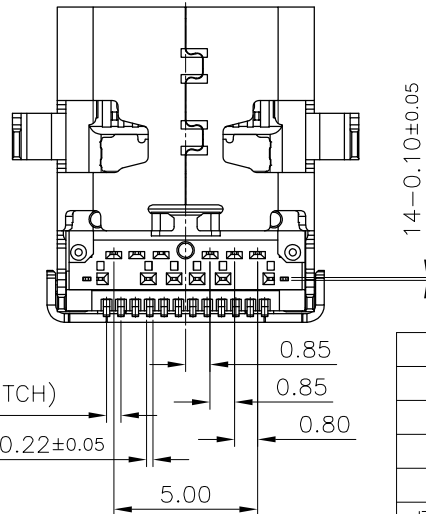
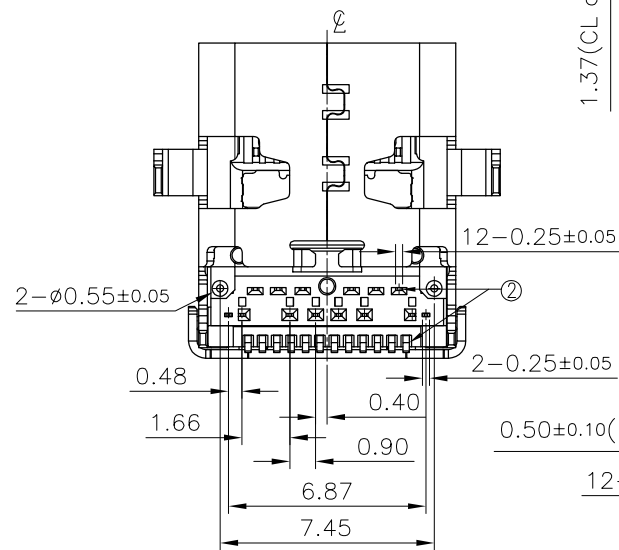


- NOTES: 1. MATERIAL:  
 1.1 HOUSING: PA9T, HIGH TEMP.,UL94V-0;  
 1.2 CONTACT: HIGH CONDUCTIVITY COPPER ALLOY  
 1.3 GROUND PIN: STAINLESS STEEL  
 1.4 RFI PAD: STAINLESS STEEL  
 1.5 SHELL: STAINLESS STEEL  
 2. FINISH:  
 2.1 CONTACT:  
 Y.2u"Au+30u"NiPd ON CONTACT FOR LEAD FREE.  
 50~100u" NICKEL UNDERPLATING OVERALL.  
 SOLDER TAILS: TIN 100u" MIN. OVER NICKEL.  
 2.2 GROUND PIN & RFI PAD & SHELL :  
 20u" MIN SOLDERABLE NICKEL UNDERPLATING OVERALL.  
 3. SPEC. PLS. REFER TO PS-55907-xxxxx-xxx  
 4. PACKAGE PLS REFER TO 55915-xxxxx-xx-TRP  
 5. TRANSMISSION SPEED SUPPORT GEN1  
 6. PART NUMBER 55915-024 X X-XXX

NO OF CKT \_\_\_\_\_  
 PACKING \_\_\_\_\_  
 O: TAPE & REEL  
 001:NONE  
 PLATING  
 Y: 2u"Au+30u"NiPd



A12	GND	B1	GND
A11	SSRXp2	B2	SSTXp2
A10	SSRXn2	B3	SSTXn2
A9	VBUS	B4	VBUS
A8	SUB1	B5	CC2
A7	Dn1	B6	Dp2
A6	Dp1	B7	Dn2
A5	CC1	B8	SUB2
A4	VBUS	B9	VBUS
A3	SSTXn1	B10	SSRXn1
A2	SSTXp1	B11	SSRXp1
A1	GND	B12	GND
PIN	SIGNAL NAME	PIN	SIGNAL NAME

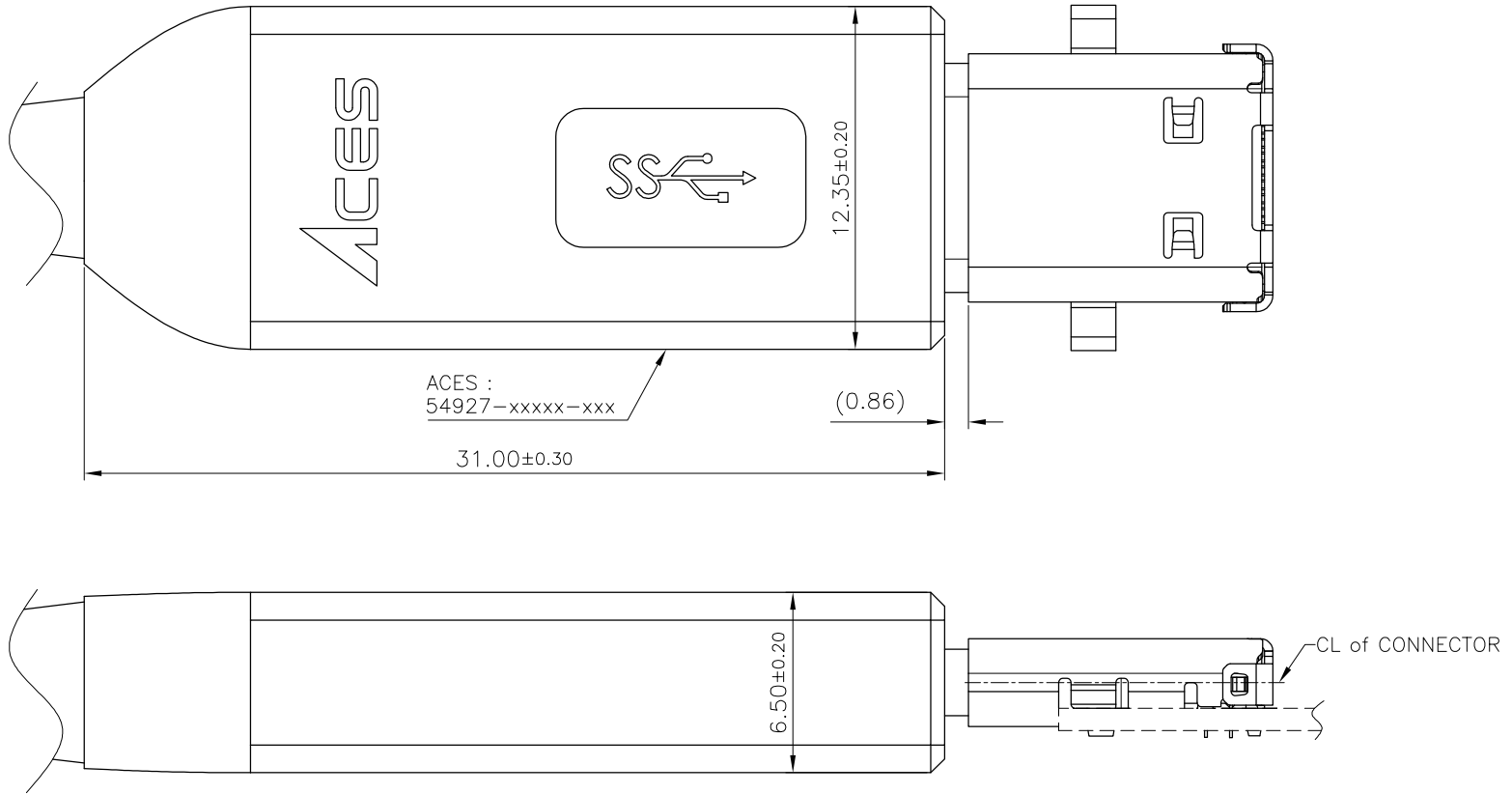


5	SHELL	1
4	RF PAD	2
3	GROUND PLATE	1
2	CONTACT	24
1	HOUSING	1
ITEM	DESCRIPTION	Q'TY

一般公差 TOLERANCES	
X ±0.50	.XX ±0.15
X ±0.25	.XXX ±0.10
ANGLES ±1°	
檢驗尺寸標示	
SYMBOLS	⊕ INDICATE CLASSIFICATION DIMENSION
⊕	MARK IS CRITICAL DIM.
Ⓢ	MARK IS MAJOR DIM.
表面處理 (FINISH)	

宏致電子股份有限公司  
 Aces Electronics Co.,Ltd.

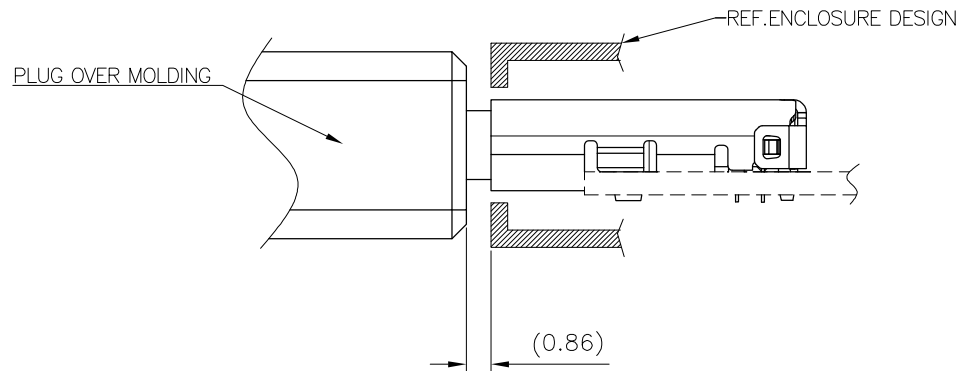
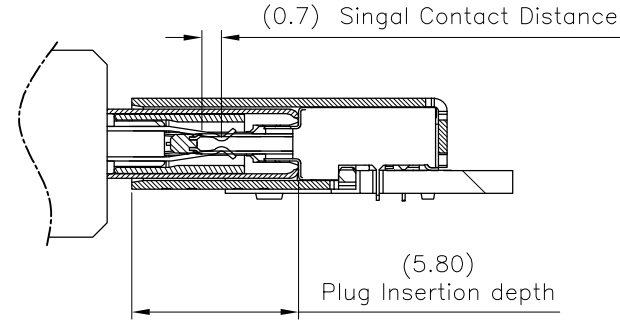
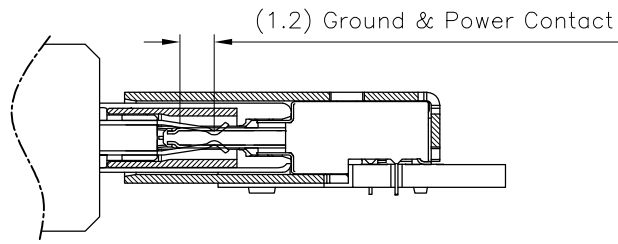
品名 (TITLE)	USB3.1 Mid-mount C Type REC ASSY (T/H R/A)	製圖 (DR)	15/12/24 RAY
圖號 (DWG.NO)	55915-024XX-XXX	審核 (CHKD)	RYAN
比例 (SCALE)	4:1	核准 (APPD)	K.HISATOMI
單位 (UNITS)	mm	張數 (SHEET)	1 OF 4
單位 (UNITS)	mm	SIZE	A4
單位 (UNITS)	mm	REV	A



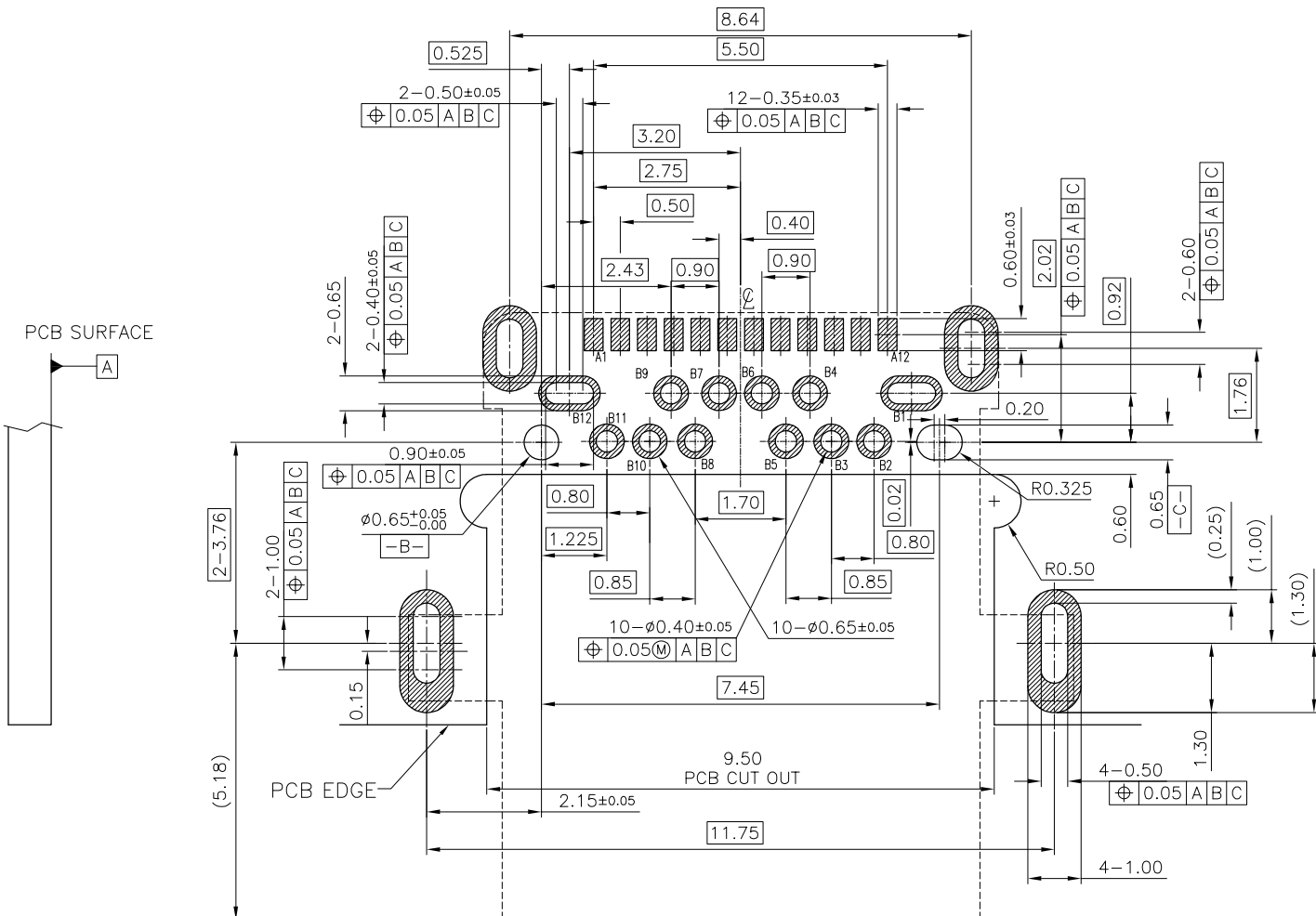
一般公差 <b>TOLERANCES</b> X $\pm 0.50$ .XX $\pm 0.15$ X $\pm 0.25$ .XXX $\pm 0.10$ ANGLES $\pm 1^\circ$		<b>宏致電子股份有限公司</b> Aces Electronics Co.,Ltd.	
檢驗尺寸標示 SYMBOLS $\text{\textcircled{M}}$ $\text{\textcircled{M}}$ INDICATE CLASSIFICATION DIMENSION $\text{\textcircled{C}}$ MARK IS CRITICAL DIM. $\text{\textcircled{M}}$ MARK IS MAJOR DIM.	品名 (TITLE) USB3.1 Mid-mount C Type REC ASSY (T/H R/A) 圖號 (DWG.NO) 55915-024XX-XXX	製圖 (DR) 15/12/24 RAY 審核 (CHKD) RYAN 核准 (APPD) K.HISATOMI	張數 (SHEET) 2 OF 4 比例 (SCALE) 4:1 單位 (UNITS) mm
表面處理 (FINISH)	$\text{\textcircled{C}}$	尺寸 (SIZE) A4 圖號 (REV) A	



# RECEPTACLE & PLUG MATING DRAWING



一般公差 <b>TOLERANCES</b> X ±0.50 .XX ±0.15 X ±0.25 .XXX ±0.10 ANGLES ±1°		<b>宏致電子股份有限公司</b> Aces Electronics Co.,Ltd.	
檢驗尺寸標示 SYMBOLS   INDICATE CLASSIFICATION DIMENSION MARK IS CRITICAL DIM. MARK IS MAJOR DIM.	品名 (TITLE) USB3.1 Mid-mount C Type REC ASSY (T/H R/A)	製圖 (DR) 15/12/24 RAY 審核 (CHKD) RYAN	5
	圖號 (DWG.NO) 55915-024XX-XXX	核准 (APPD) K.HISATOMI	
表面處理 (FINISH)	比例 (SCALE) 4:1	單位 (UNITS) mm	張數 (SHEET) 3 OF 4
		尺寸 (SIZE) A4	REV A



RECOMMENDED PCB LAYOUT  
TOP VIEW  
SCALE 8:1

一般公差 <b>TOLERANCES</b> X ±0.50 .XX ±0.15 X ±0.25 .XXX ±0.10 ANGLES ±1°		<b>宏致電子股份有限公司</b> Aces Electronics Co.,Ltd.	
檢驗尺寸標示 <b>SYMBOLS</b> $\phi$ $\ominus$ $\oplus$ INDICATE CLASSIFICATION DIMENSION	品名 (TITLE) USB3.1 Mid-mount C Type REC ASSY (T/H R/A)	製圖 (DR) 15/12/24 RAY	
$\ominus$ MARK IS CRITICAL DIM. $\oplus$ MARK IS MAJOR DIM.	圖號 (DWG.NO) 55915-024XX-XXX	審核 (CHKD) RYAN	
表面處理 (FINISH)	比例 (SCALE) 單位 (UNITS) 4:1 mm	核准 (APPD) K.HISATOMI	
	$\phi$ $\ominus$ $\oplus$	張數 (SHEET) 4 OF 4	圖號 (REV) A4 A